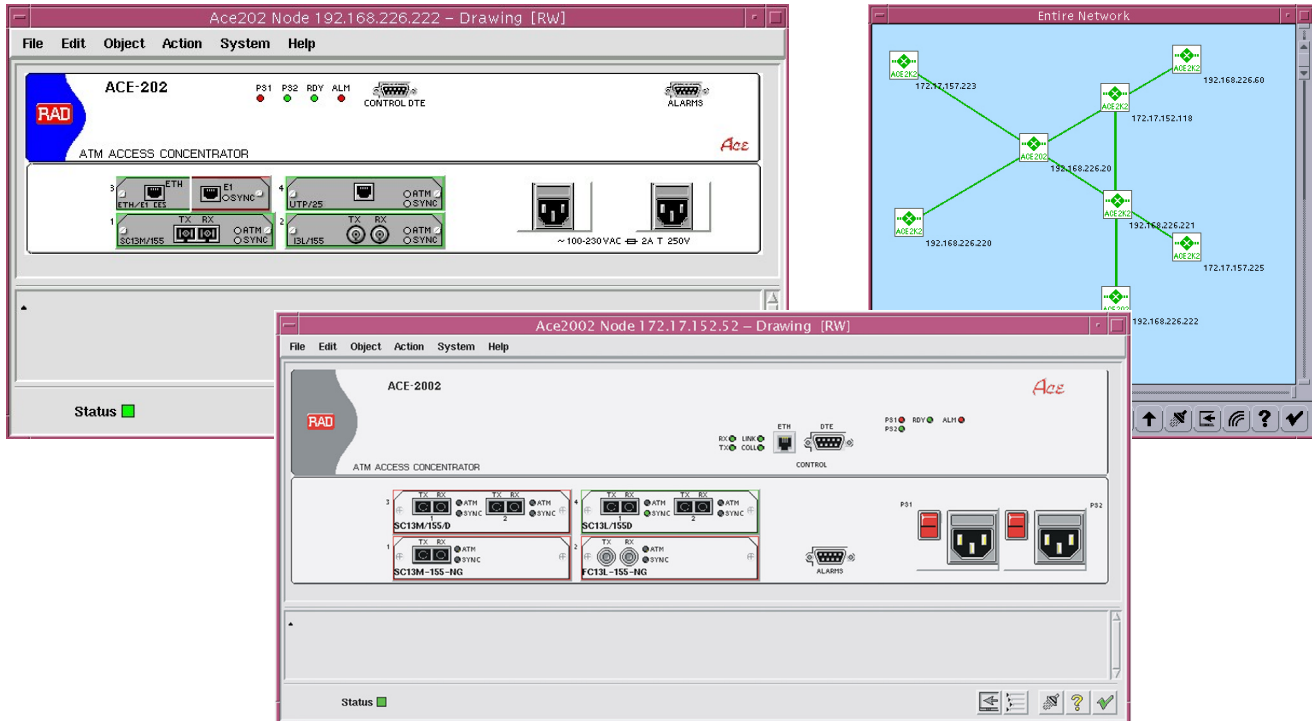


5620 Model Descriptors



Integrating RAD ATM Access Products into Alcatel 5620 NMS



FEATURES

- Allow seamless, integrated management for RAD ATM access products by the Alcatel 5620 Network Management Station (NMS)
- RAD ensemble offers dedicated Model Descriptors for the following RAD products:
 - ACE-50
 - ACE-101
 - ACE-202
 - ACE-2002
 - ACE-2002E
 - LA-110
- Tested and certified by Alcatel CID laboratory
- Carrier-class management solution extending the reach of network administrators
- Integrated into and operate with the 5620 SNMP Descriptors Module
- Provide both element and network level management capabilities
- Offer complete end-to-end service provisioning and network monitoring from a central location
- Perform automatic node configuration discovery and allow for further modification
- Support complete monitoring and fault management, alarms and traps handling

5620 Model Descriptors

Integrating RAD ATM Access Products into Alcatel 5620 NMS

DESCRIPTION

- The Alcatel 5620 NMS open architecture facilitates the integration of multi-vendor device management. Employing Model Descriptors (MD), it can manage SNMP and TL1 third-party elements. The MD interprets SNMP messages between the managed devices and the 5620 Descriptors Module (formerly 5520 SNMP Element Manager). Using a descriptor, the service provider can provision new nodes or modify and support existing ones.
- The RAD Model Descriptors ensemble extends the capabilities of the Alcatel 5620 NMS to manage RAD ATM devices.
- The Model Descriptors in the RAD ensemble feature the following applications:
 - **Navigate** – facilitates an auto-discovery block that maps the node, slot, interface, and connection into the managed object hierarchy (see Figure 3)
 - **Draw** – displays a visual image of the managed device, including its components and their relevant status indications (see Figure 4)
 - **Configure** – provides appropriate forms to configure any object attributes in the managed device
 - **Monitor** – offers a mechanism to monitor the status and changes in the attributes of the managed objects, using traps and SNMP queries.
- Additional features of the Model Descriptors are:
 - Trouble tickets generation
 - On-line documentation.
- The Alcatel system allows the network administrator to maintain multiple MDs. Management capabilities are easily extended for new node types by simply adding relevant MDs to the ensemble. A dedicated descriptors ensemble for each node type is required (see Figure 1 and Figure 2).

APPLICATION

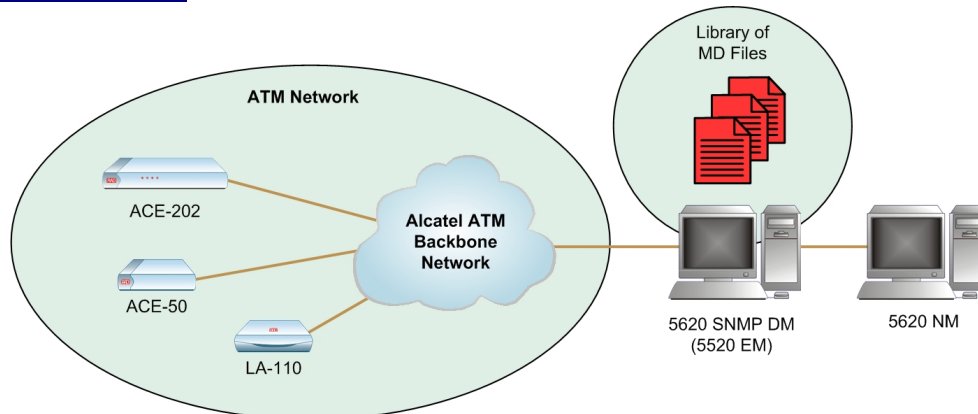


Figure 1. Managing ACE Products by Alcatel 5620 NMS

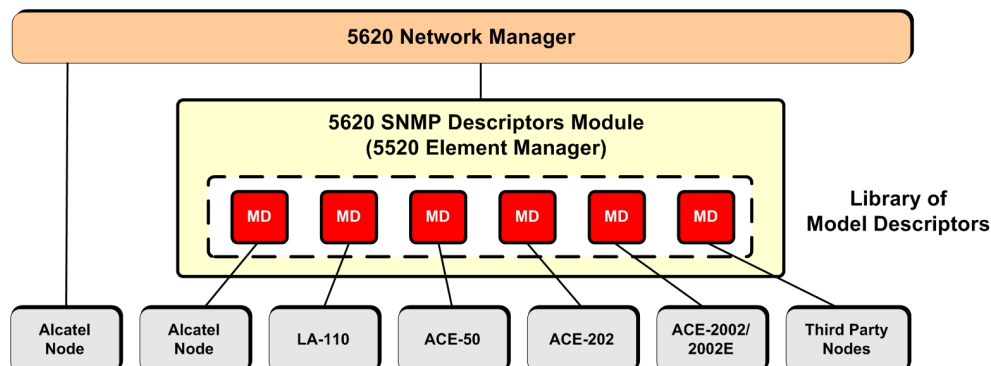


Figure 2. System Architecture

5620 Model Descriptors

Integrating RAD ATM Access Products into Alcatel 5620 NMS

SPECIFICATIONS

NETWORK PLANNING INFORMATION

- **Equivalent Node (EN)** value is a "weight" associated with each node type within the Alcatel management system. Different node types have different EN values according to their complexity (starting from the lowest value of 1). The more complex the node, the higher the EN value assigned by Alcatel. The EN values are used by Alcatel as part of the 5620 licensing arrangement (refer to *Table 1*).

Table 1. Planning Information

Product	EN Value
ACE-50	1
ACE-101	2
ACE-202	3
ACE-2002	5
ACE-2002E	6
LA-110	1

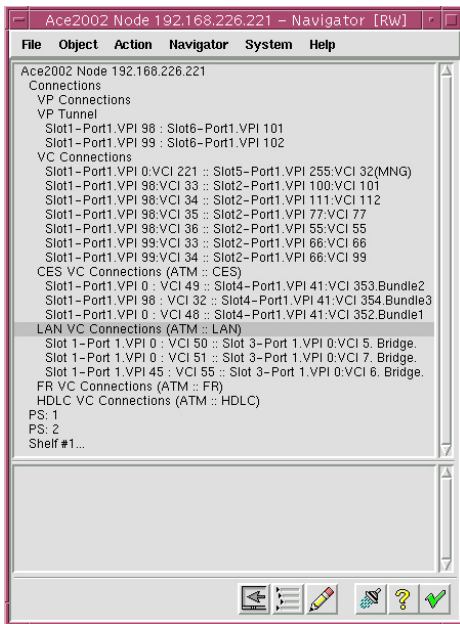


Figure 3. Navigate Tool

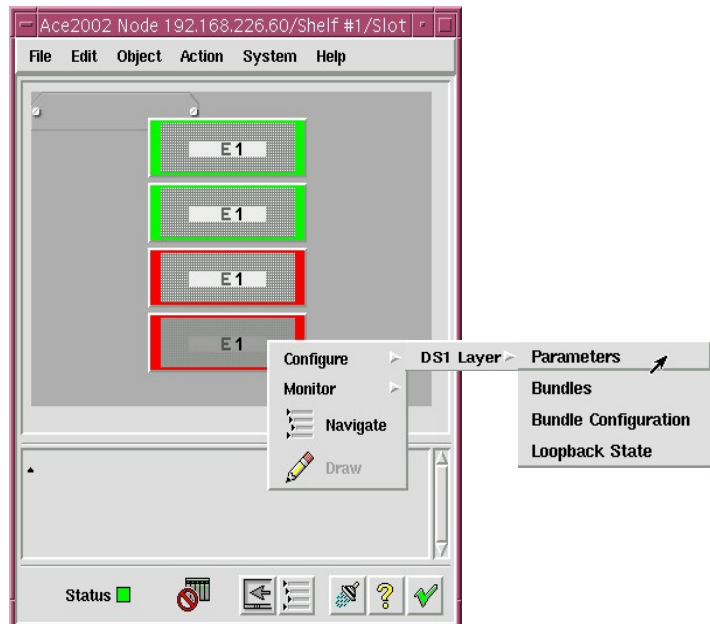


Figure 4. Draw Tool

5620 Model Descriptors

Integrating RAD ATM Access Products into Alcatel 5620 NMS

ORDERING

MD-SW/*

5620 Model Descriptor

* Specify the 5620 MD module type:

ACE-50 for 5620 MD/ACE-50

ACE-101 for 5620 MD/ACE-101

ACE-202 for 5620 MD/ACE-202

ACE-2002 for 5620 MD/ACE-2002

ACE-2002E for 5620 MD/ACE-2002E

LA-110 for 5620 MD/LA-110



data communications

www.rad.com

- **International Headquarters**
24 Raoul Wallenberg Street
Tel Aviv 69719, Israel
Tel: 972-3-6458181
Fax: 972-3-6498250
Email: market@rad.com
- **North America Headquarters**
900 Corporate Drive
Mahwah, NJ 07430, USA
Tel: (201) 529-1100
Toll free: 1-800 444-7234
Fax: (201) 529-5777
Email: market@radusa.com

123-106-11/06